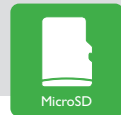


rosenthal design 



DeltaTherm® HT

The *DeltaTherm® HT* is a compact and user-friendly solution for simple heating systems and offers weather-compensated control with room influence or demand-based room control with 1 room temperature sensor. If a central outdoor sensor unit is used, several controllers can use the outdoor temperature value – this requires the installation of only 1 outdoor temperature sensor.

Additionally, there's a choice of 5 different operating modes and a night correction.

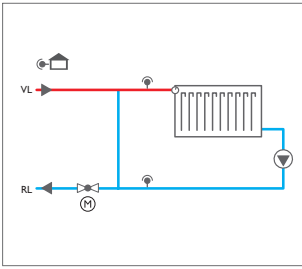
RESOL develop and produce the right OEM controller to meet your requirements, CONTACT US!

Heating circuit controller for heat interface units

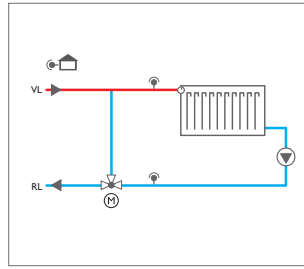
- Pre-programmed basic system
- 4 relay outputs (incl. 1 potential-free extra-low voltage relay)
- 4 inputs for Pt1000 temperature sensors
- 5 operating modes, room thermostat and night correction
- Chimney sweeper function, screed drying function and holiday mode via microbuttons
- Data logging, storing, easy transfer of controller adjustments prepared and firmware updates via MicroSD card
- Weather-compensated control with room influence or demand-based room control with 1 room temperature sensor
- Remote access with a room control unit
- Function for using a central outdoor sensor unit

Article no.	Article	Price bracket
115 006 03	DeltaTherm® HT – Heating circuit controller for heat interface units	A
115 006 13	DeltaTherm® HT – Full kit » incl. 3 Pt1000 sensors (2 x FKP23, 1 x FAP13)	A

EXAMPLES



Basic system



Basic system with mixer

TECHNICAL DATA

Inputs: 4 inputs for Pt1000 temperature sensors (1 of them can be converted to room thermostat (switch)), 1 input for remote control (RTA) or operating mode switch (BAS)

Outputs:

3 semiconductor relays, 1 potential-free extra-low voltage relay, 1 PWM output, 1 0-10V output

PWM frequency: 512 Hz

PWM voltage: 10.8V

Switching capacity:

1 (1) A 240V~ (semiconductor relay)

1 (1) A 30V = (potential-free relay)

Total switching capacity: 3 A 240V~

Power supply: 100–240V~ (50–60 Hz)

Supply connection: type X attachment

Standby: 0.63 W

Mode of operation: type 1.B.C.Y action

Rated impulse voltage: 2.5 kV

Data interface: RESOLVBus®, MicroSD card slot

Functions:

weather-compensated heating circuit control, room thermostat, chimney sweeper function, screed drying function, holiday mode

Housing: plastic, PC-ABS and PMMA

Mounting:

wall mounting, also suitable for mounting into patch panels

Indication / Display:

full graphic display, operating control LED (Lightwheel®)

Operation: 4 buttons and 1 Lightwheel®

Ingress protection: IP 20 / EN 60529

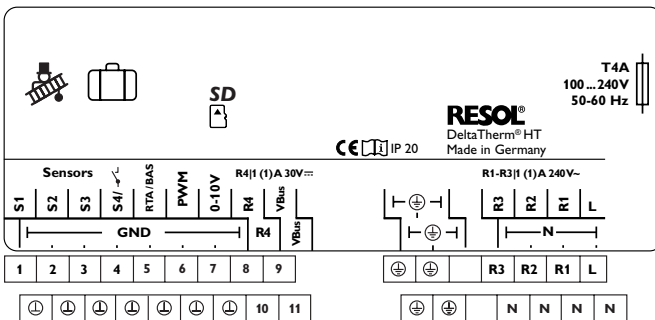
Protection class: I

Ambient temperature: 0... 40 °C

Degree of pollution: 2

Dimensions: 110x166x47 mm

ELECTRICAL CONNECTION



ACCESSORIES

Central outdoor sensor unit



Measures the outdoor temperature and transmits this value to the controllers connected

FAP13



Outdoor temperature sensor