

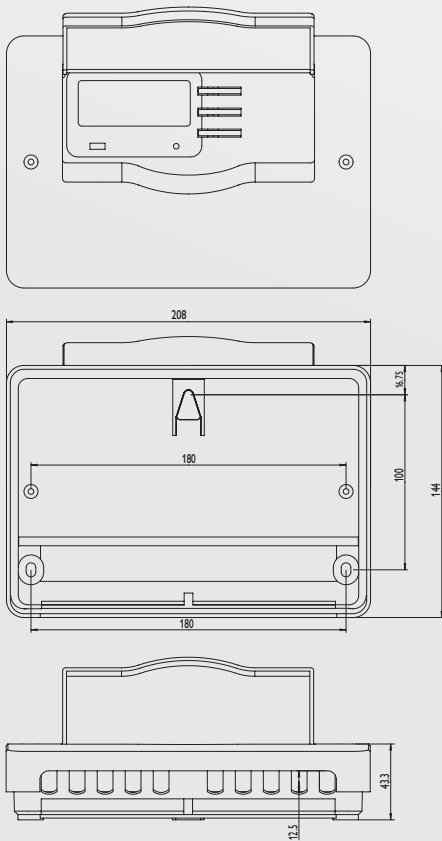
HKM3 heating circuit extension module

For the connection to the *DeltaSol® E* system controller



- ✓ Control of a weather-compensated heating circuit with timer
- ✓ Slide switch 0 Auto I
- ✓ RESOL VBus® data interface
- ✓ Energy-efficient switching-mode power supply
- ✓ 4 semiconductor relays, 1 potential-free relay
- ✓ Mixing valve control, antifreeze function, DHW priority
- ✓ Blocking protection for the heating circuit pump
- ✓ Remote control can be connected (optional)
- ✓ Up to 3 HKM3 can be connected to the *DeltaSol® E*
- ✓ Easy to install, configuration via the controller

Technical Data



Inputs: 5 Pt1000 temperature sensors and 1 RTA12 remote control

Outputs: 4 semiconductor relays, 1 potential-free relay

Switching capacity:

1 (1) A 240 V~ (semiconductor relay)

4 (1) A 24 V= / 240 V~ (potential-free relay)

Total switching capacity: 4 A 240 V~

Power supply: 100 ... 240 V~ (50 ... 60 Hz)

Supply connection: type Y attachment

Standby: 0,41 W

Mode of operation: type 1.B.C.Y action

Rated impulse voltage: 2,5 kV

Data interface: RESOL VBus®

Housing: plastic, PC-ABS and PMMA

Mounting: wall mounting

Indication/Display: LC display, 7-segment display

Operation: 3 push buttons and 1 slide switch at the front of the housing

Ingress protection: IP 20/DIN EN 60529

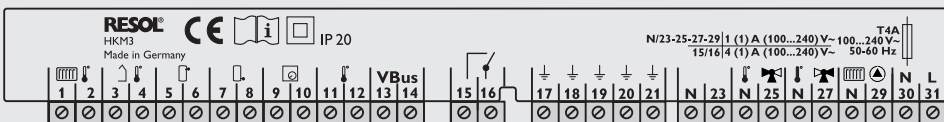
Protection class: II

Ambient temperature: 0 ... 40 °C

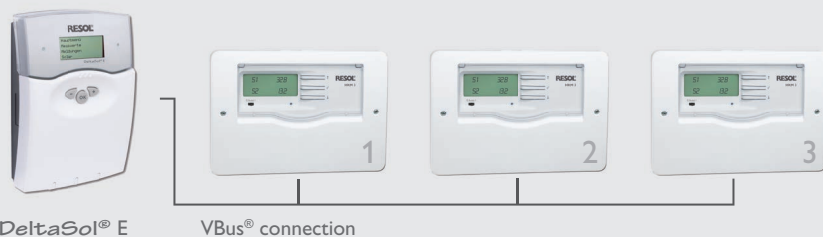
Pollution degree: 2

Dimensions: 144 × 208 × 43 mm

Electrical connection



Example



e. g. controlling up to 4 heating circuits with one DeltaSol® E

RTA12 Remote control

With the RTA12, the heating curve can be comfortably adjusted from the living area. Increasing the heating curve setting causes an increase in flow temperature, decreasing the setting causes a decrease.

The integrated sensor measures the ambient temperature.

Article no.: 136 000 40



RESOL HKM3

Heating circuit module for a weather-compensated heating circuit

Article no.: 145 440 60

RESOL HKM3 – Full kit

Heating circuit module incl. 2 sensors (1 x FAP13, 1 x FRP21)

Article no.: 145 440 70