

A quick way to the safe side – the
ALS15 discharge hose



At the safety valve outlet of a solar thermal or heating system, it can get pretty hot at times. The RESOL ALS15 sees to it that no one gets hurt and nothing gets soiled when that happens.

The robust, heat resistant EPDM hose fits all common 3/4" safety valve outlets, can be individually shortened and is easy and effortless to install.

ALS15 discharge hose
Price bracket A | Article no.: **280 004 92**

Connection nipple ALS15 3/4"
Price bracket A | Article no.: **290 014 10**

Technical data

Material: EPDM

Length: 150 cm

Weight: ~ 0,49 kg

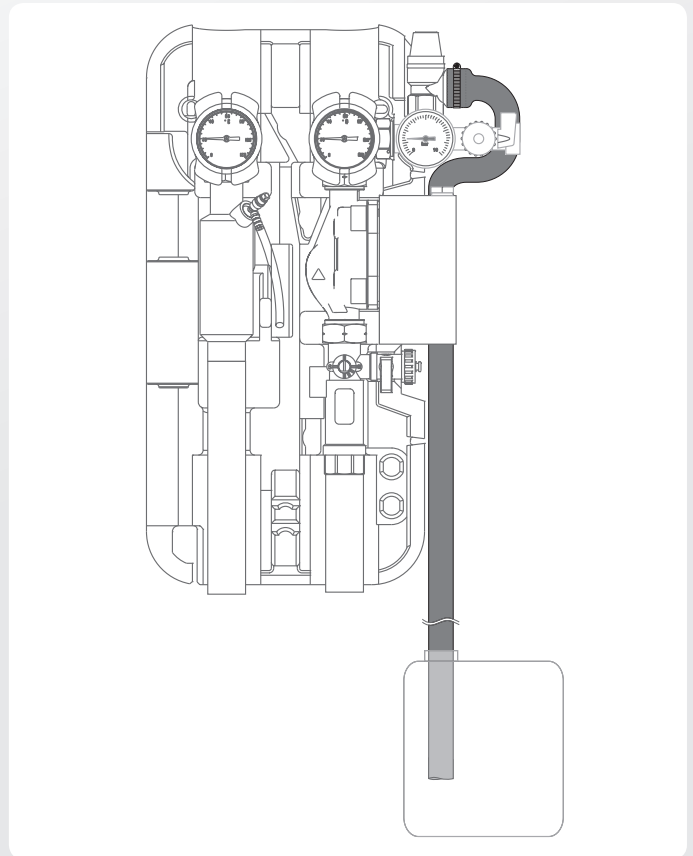
Opening: Ø 3 cm

Colour: black

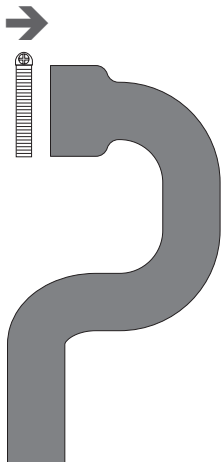
Max. temperature: 120 °C

The ALS15 discharge hose is suitable for all common $\frac{3}{4}$ " safety valves of solar thermal and heating systems. If the safety valve outlet does not protrude from the insulation casing of the station, it can be extended quickly and easily by means of the connection nipple ALS15 $\frac{3}{4}$ ".

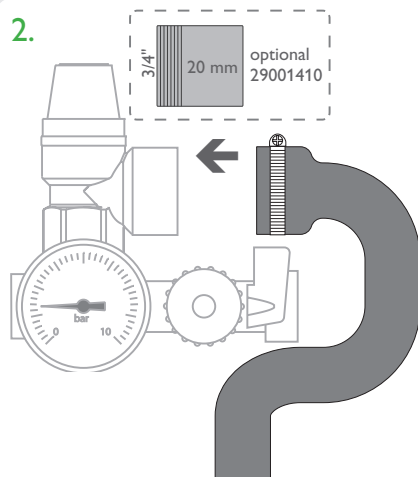
In our product portfolio, you will find a range of pump stations for different applications. For more information visit our website www.resol.com!



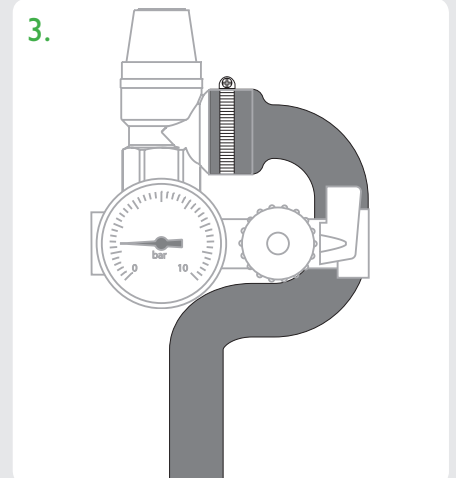
1.



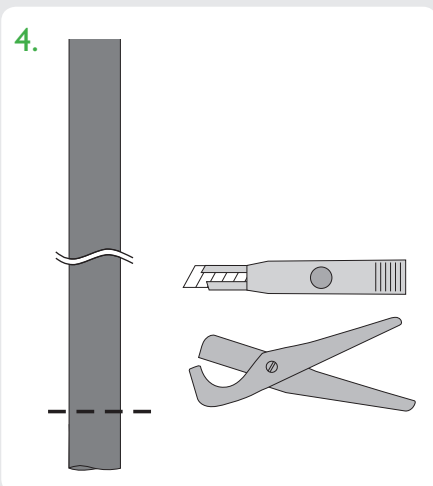
2.



3.



4.



5.

